

Medium Capacity Telehandlers

TF42.7-145



**PERFORMANCE AND FEATURES****TF42.7-145****TF42.7 CS-145****TF42.7 CS-145-CVT****Performance**

Total unladen weight (kg)	7800	8000	8000
Maximum capacity (kg)	4200	4200	4200
Lifting height (m)	7	7	7
Maximum reach (m)	3,8	3,8	3,8
Maximum operating height (m)	5,6	5,6	5,6
Maximum operating reach (m)	1,5	1,5	1,5
Capacity at maximum height (kg)	3500	3500	3500
Capacity at maximum reach (kg)	1750	1750	1750
Lateral boom movement (mm)	-	-	-
Tilting correction (%)	-	-	-
Boom sections	2	2	2

PowerTrain

Turbo motor	DEUTZ TCD3.6	DEUTZ TCD3.6	DEUTZ TCD3.6
Displacement/cylinders	3600/4	3600/4	3600/4
Engine Power (kW/HP)	105/143	105/143	105/143
Anti-pollution technology	STAGE V, SCR+DPF+DOC	STAGE V, SCR+DPF+DOC	STAGE V, SCR+DPF+DOC
Reversible fan	●	●	●
Maximum speed (km/h)	40	40	40
Fuel tank (l)	140	140	140
AdBlue tank (l)	18	18	18
Hydrostatic transmission	● - 2V	● - 2V	CVTronic
EPD	Plus	Plus	Plus
Auto-revving joystick	●	●	●
Axles - Reducers	Drop portal - RR700	Drop portal - RR700	Drop portal - RR700
Machine brakes	Dry disc	Dry disc	Dry disc
Automatic parking brake	●	●	●

Hydraulic

Hydraulic pump	LS+FS	LS+FS	LS+FS
Flow rate/pressure (l/min - bar)	145-250	145-250	145-250
Hydraulic tank	100	100	100
Hydraulic outlet at the top of the boom	●	●	●
Rear hydraulic outlets	○	○	○

Cab

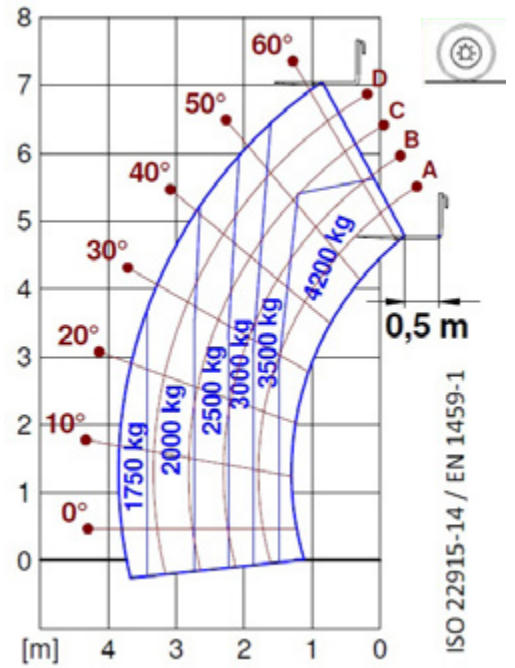
Cab configuration	ECO	ECO	ECO
ASCS Adaptive Stability Control System	Light	Light	Light
FOPS LIV II cab	●	●	●
ROPS cab	●	●	●
Cab commands	Electronic joystick	Electronic joystick	Electronic joystick
Tilting Cab	-	-	-
Reverse shuttle	Dual reverse	Dual reverse	Dual reverse

Configuration

Cab suspension	-	●	●
Boom suspension	○	○	○
Suspension on axles	-	-	-
Work headlights on cab	●	●	●
Sun blind	○	○	○
Tac-lock	●	●	●
Provision for a platform	○	○	○
Two floating forks	●	●	●
Inching-Control	●	●	●
Four-wheel drive	●	●	●
Four-wheel steering	●	●	●
Three steering modes	●	●	●
Standard tyres	400/70-24"	400/70-24"	400/70-24"
Optional tyres	460/70-R24	460/70-R24	460/70-R24
Stabilisers	-	-	-
Turret rotation	-	-	-
Type approval as an agricultural tractor	○	○	○
Approval with PNEUMATIC braking	○	○	○
Approval with HYDRAULIC braking	○	○	○
PTO	-	-	-
3-point linkage	-	-	-

- Not Available
● Standard
○ Optional

Load charts

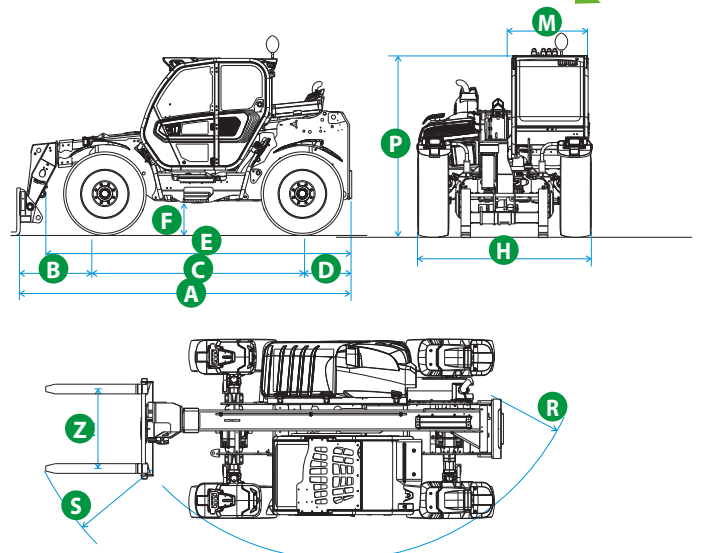


TF42.7

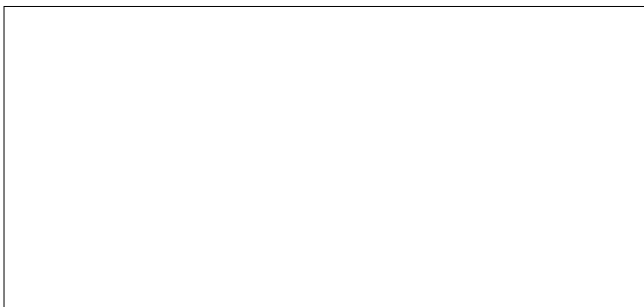
Dimensions



	TF42.7		
A (mm)	4730		
B (mm)	1215		
C (mm)	2810		
D (mm)	705		
E (mm)	4104		
F (mm)	460		
H (mm)	2310		
M (mm)	1010		
P (mm)	2530		
R (mm)	3985		
S (mm)	4800		
Z (mm)	850		



Your Merlo dealer



MERLO S.P.A.

Via Nazionale, 9
12010 S. Defendente di Cervasca, (Cuneo) Italia
Tel. +39 0171 614111
Fax +39 0171 684101

info@merlo.com
www.merlo.com

